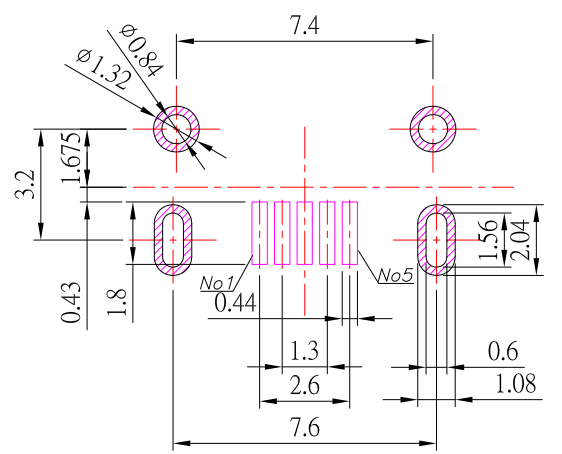
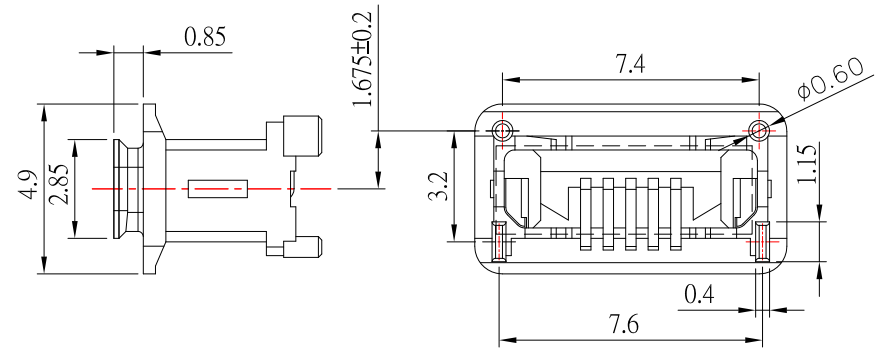
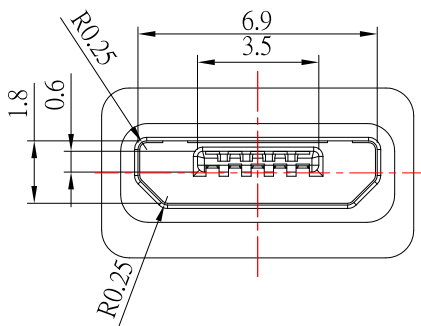
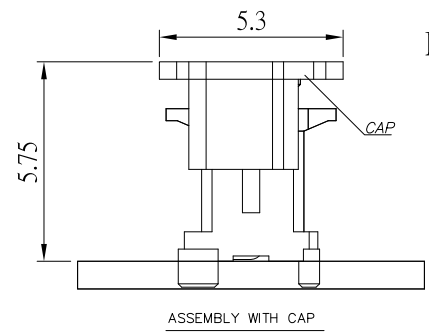
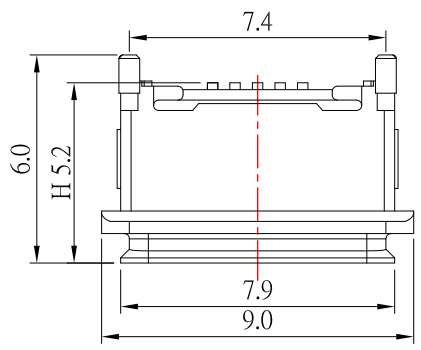


MRUSB-5B-WP9VA-x-S382

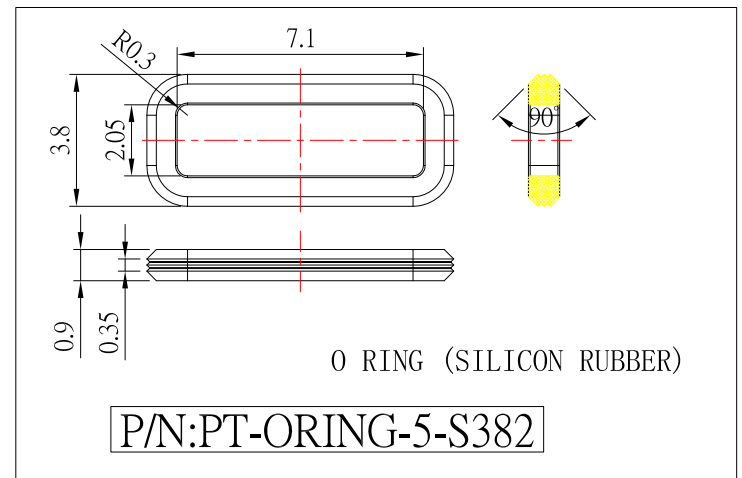
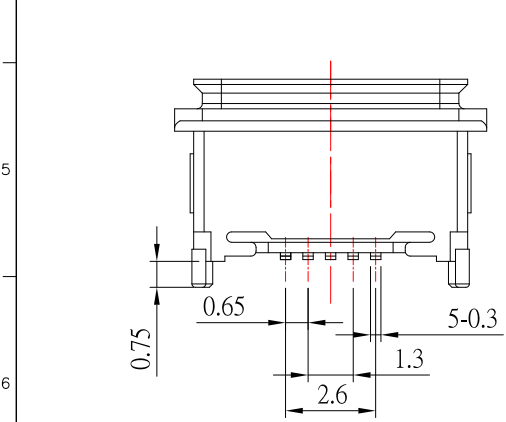


鍍層厚度：  
Blank : 1u"  
2 : 15u"  
3 : 30u"



P.C.B LAYOUT MOUNTING PATTERN

- NOTES:  
MATERIAL:  
1.1 HOUSING: HIGH-TEMP  
1.2 CONTACT: COPPER ALLOY  
1.3 SHELL: SUS  
FINISH:  
2.1 CONTACT: PLATED GOLD IN MATING AREA ;  
GOLD PLATED ON SOLDER BALLS ;  
NICKEL UNDER PLATED OVERALL  
2.2 SHELL: NICKEL UNDER PLATED SURFACE LAYER  
3.SPECIFICATION:  
3.1 RATING: 1.8 A(PIN1,5) ; 1.0A (PIN2,3,4) , 30VAC  
3.2 DIELECTRIC WITHSSTANDING VOLTAGE: 100 VAC  
3.3 CONTACT RESISTANCE: 30 mΩ MAX.  
3.4 INSULATION RESISTANCE: 1000 MΩ MIN.



9	更新料號	Jack	102720
8	更新樣式及尺寸	Jack	092820
7	更新圖面	Jack	111119
6	更新Rating	Jack	042319
5	新增ORING料號	Jack	032819
4	更新樣式	Jack	121218
3	更新PCB LAYOUT尺寸	Jack	061318
2	更新尺寸	Jack	061218
1	更新圖面	Jack	052318
ITEM NO.	DESCRIPTION	DRAWN	DATE



TOLERANCE UNLESS OTHERWISE STATED:  
Up to 5 ±0.2  
Above 5 ~ 15 ±0.3  
Above 15 ~ 30 ±0.4  
Above 30 ~ 50 ±0.5  
Angle ±0.3

3RD. ANGEL'S

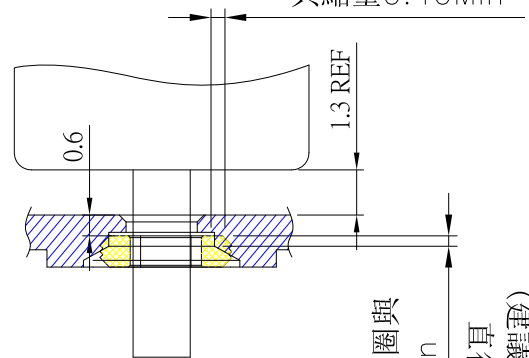
UNITS MM

DRAWN BY:	DATE	MAT'L	TITLE	CONNECTOR
Jack Lu	10/27/20		MODLE	MICRO USB 5PF B TYPE 直立式
CHECKED BY:	DATE	FINISH	DWG NO.	防水型 IPX7 (外殼腳1.15 X 0.4 X 0.75)
Jacky Chen	10/27/20	SCALE	1 : 1	
APPROVED BY:	DATE	SHEET NO.	PART NO.	
Tony Kao	10/27/20	1 of 2	MRUSB-5B-WP9VA-x-S382	

# IPX7

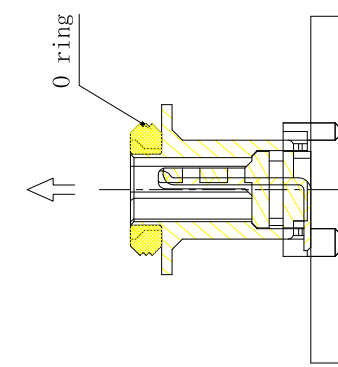
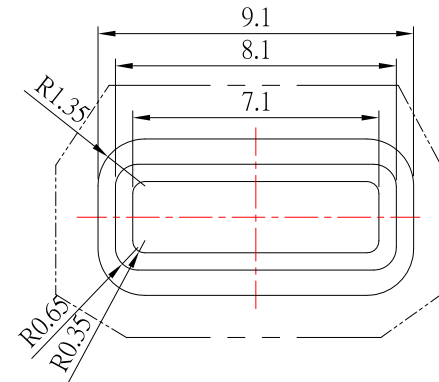
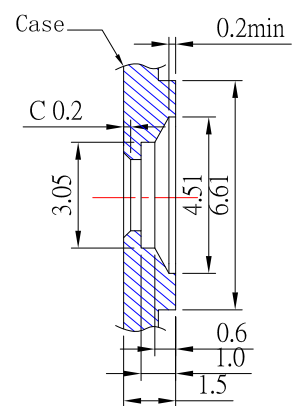
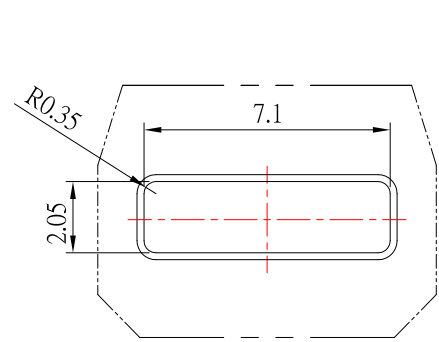


機殼面板對密封圈  
與縮量0.40Min



COMPRESSION RATIO TO BE 40%-50%

機殼面板對密封圈與  
縮量0.30Min  
(建議壓縮量為密封圈  
直徑大小40-50%)



RECOMMENDED OPEN DIMENSION OF CASE

9	更新料號	Jack	102720
8	更新樣式及尺寸	Jack	092820
7	更新圖面	Jack	111119
6	更新Rating	Jack	042319
5	新增ORING料號	Jack	032819
4	更新樣式	Jack	121218
3	更新PCB LAYOUT尺寸	Jack	061318
2	更新尺寸	Jack	061218
1	更新圖面	Jack	052318
ITEM NO.	DESCRIPTION	DRAWN	DATE

東莞市高迪電子有限公司  
DONG GUAN GAO DI ELECTRONICS CO., LTD

TOLERANCE UNLESS OTHERWISE STATED:  
Up to 5 ±0.2  
Above 5 ~ 15 ±0.3  
Above 15 ~ 30 ±0.4  
Above 30 ~ 50 ±0.5  
Angle ±0.3

3RD. ANGEL'S

UNITS MM

DRAWN BY:	DATE	MAT'L	TITLE	CONNECTOR
Jack Lu	10/27/20		MODLE	MICRO USB 5PF B TYPE 直立式 防水型 IPX7 (外殼腳1.15 X 0.4 X 0.75)
CHECKED BY:	DATE	FINISH	DWG NO.	SCALE
Jacky Chen	10/27/20		MRUSB-5B-WP9V-x-S382	1 : 1
APPROVED BY:	DATE	SHEET NO.	PART NO.	
Tony Kao	10/27/20	1 of 2	MRUSB-5B-WP9V-x-S382	
			SIZE	VER
			A4	R9